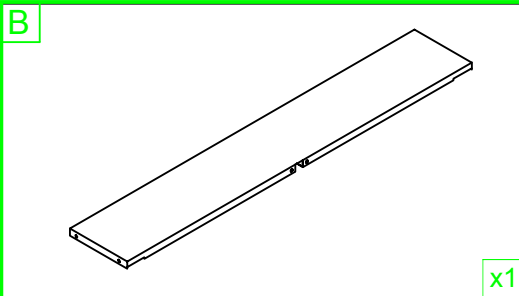
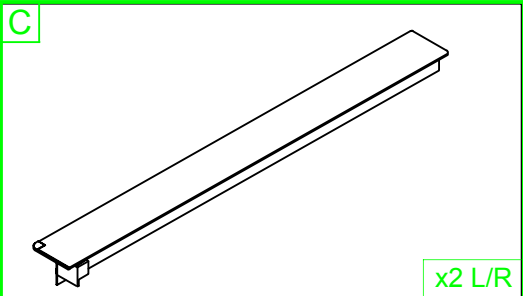


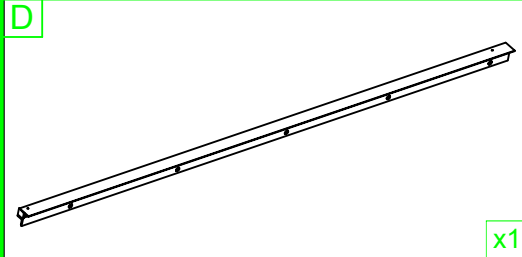
x1



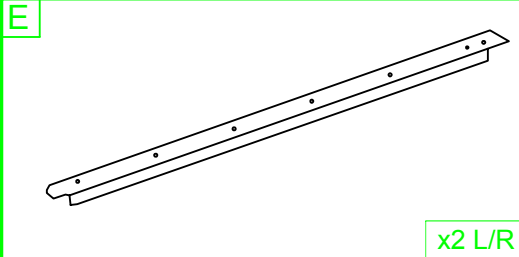
x1



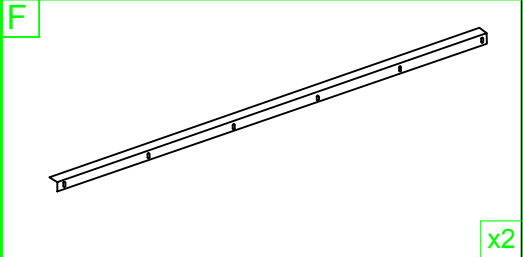
x2 L/R



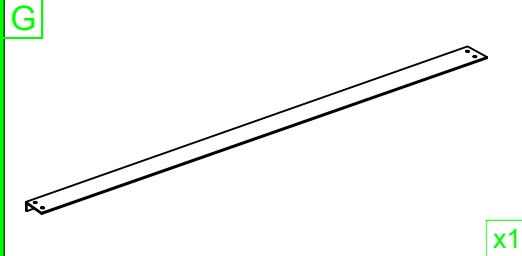
x1



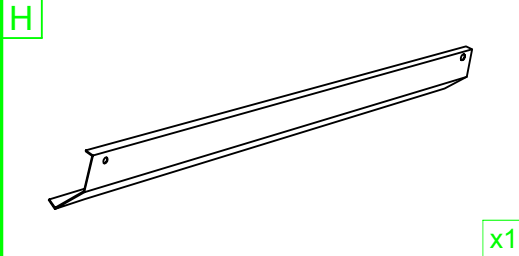
x2 L/R



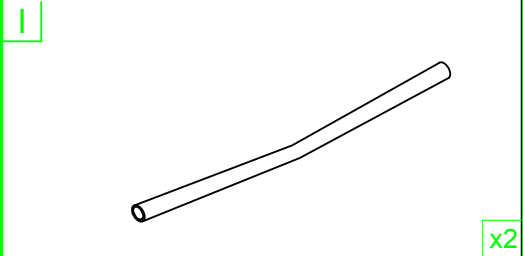
x2



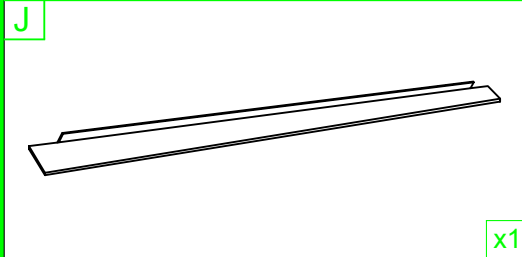
x1



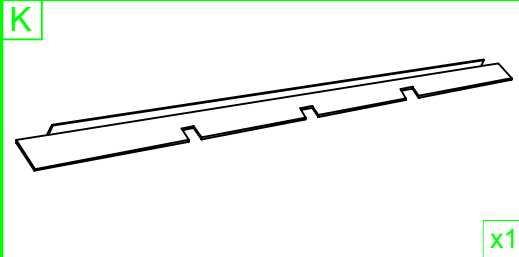
x1



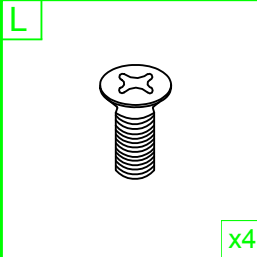
x2



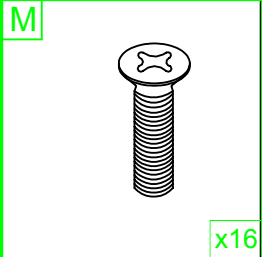
x1



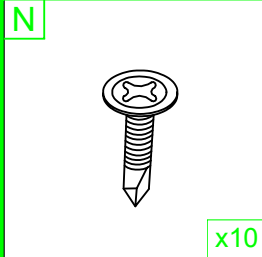
x1



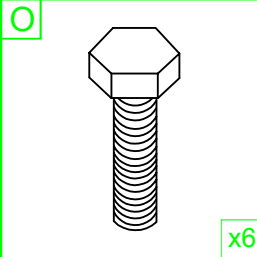
x4



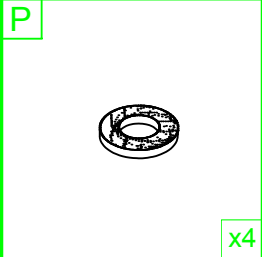
x16



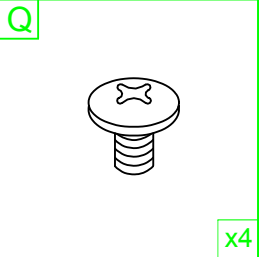
x10



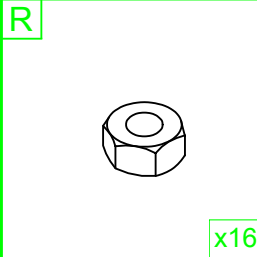
x6



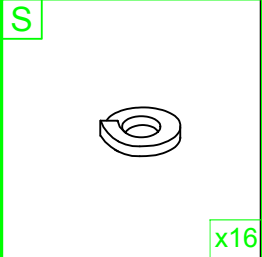
x4



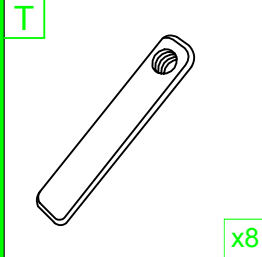
x4



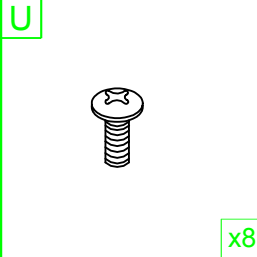
x16



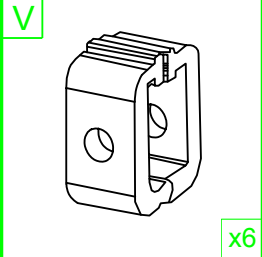
x16



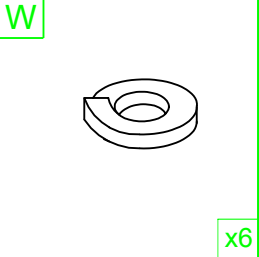
x8



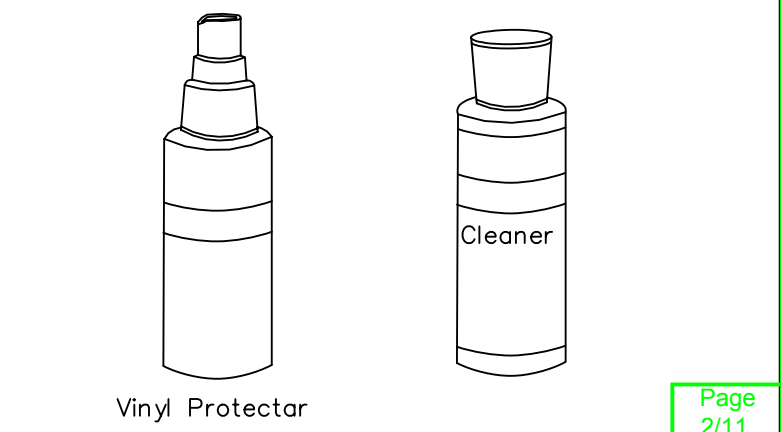
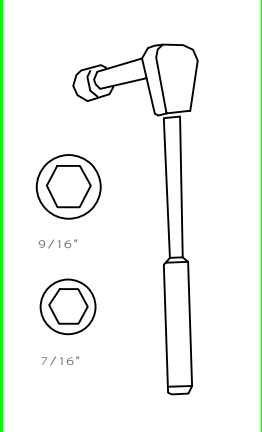
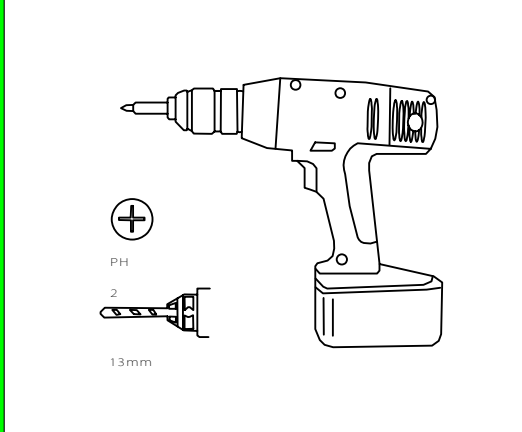
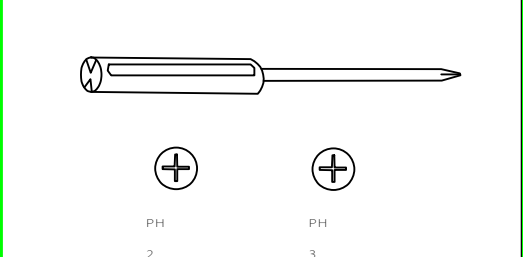
x8

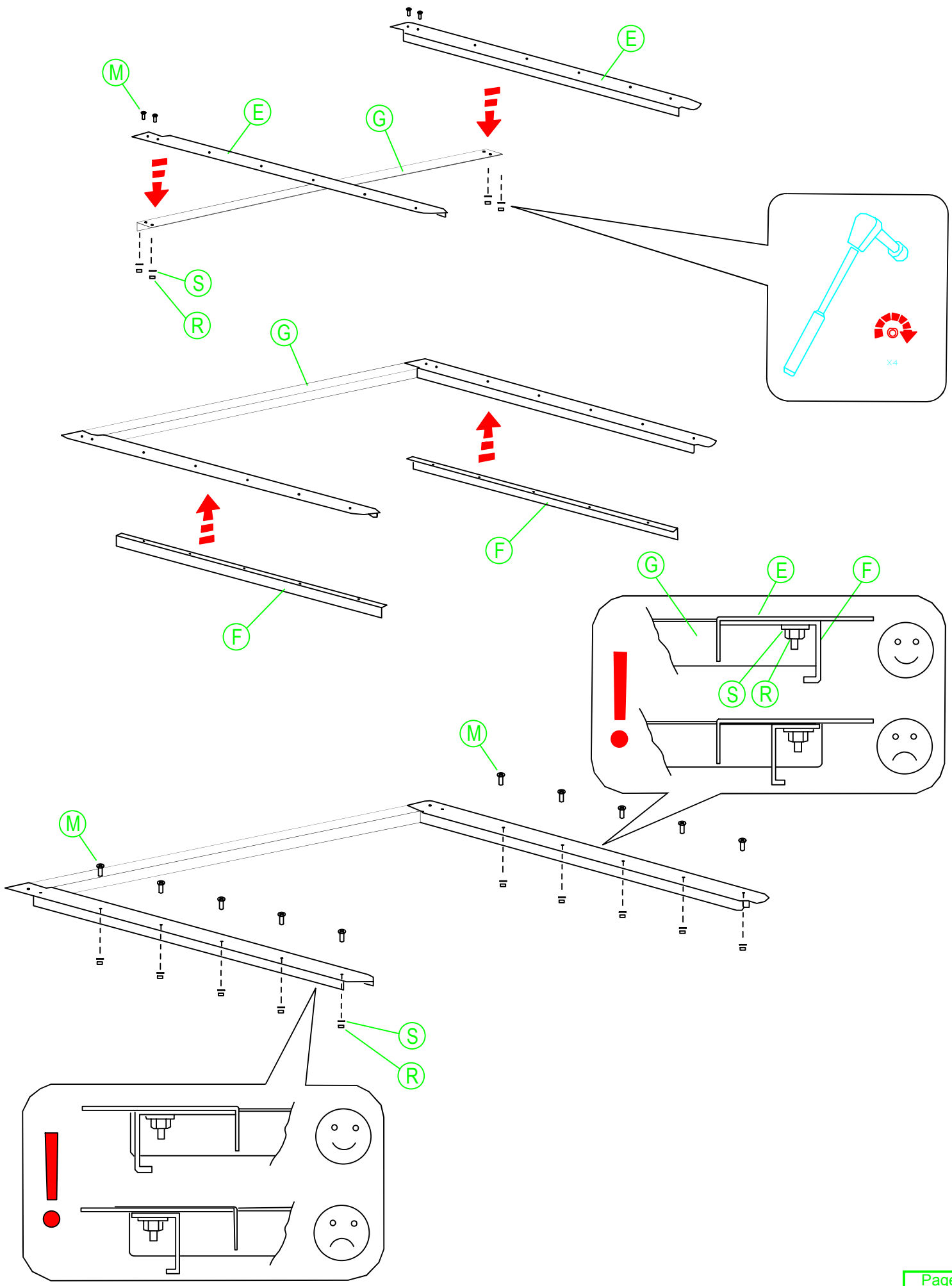


x6

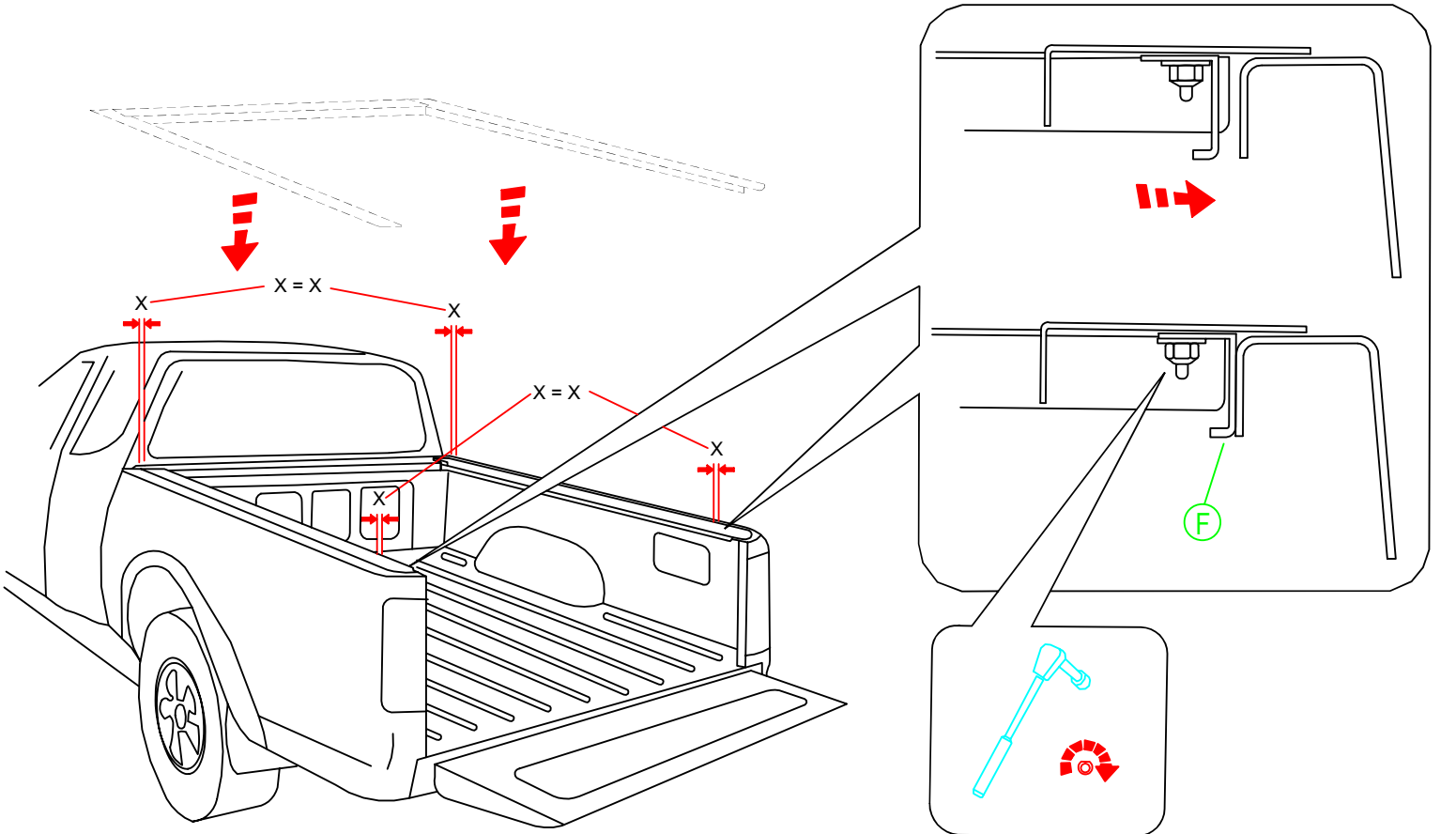


x6

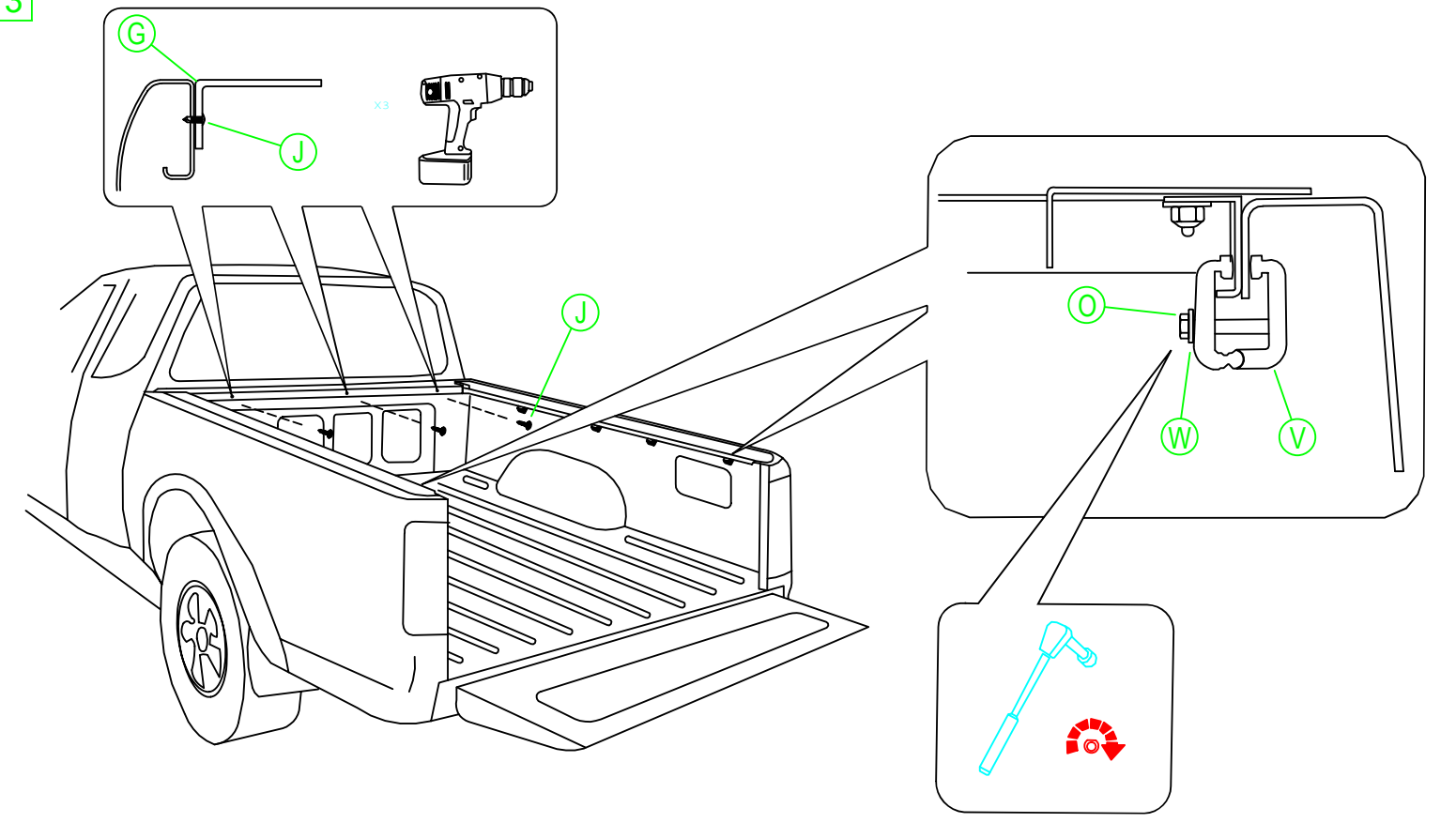


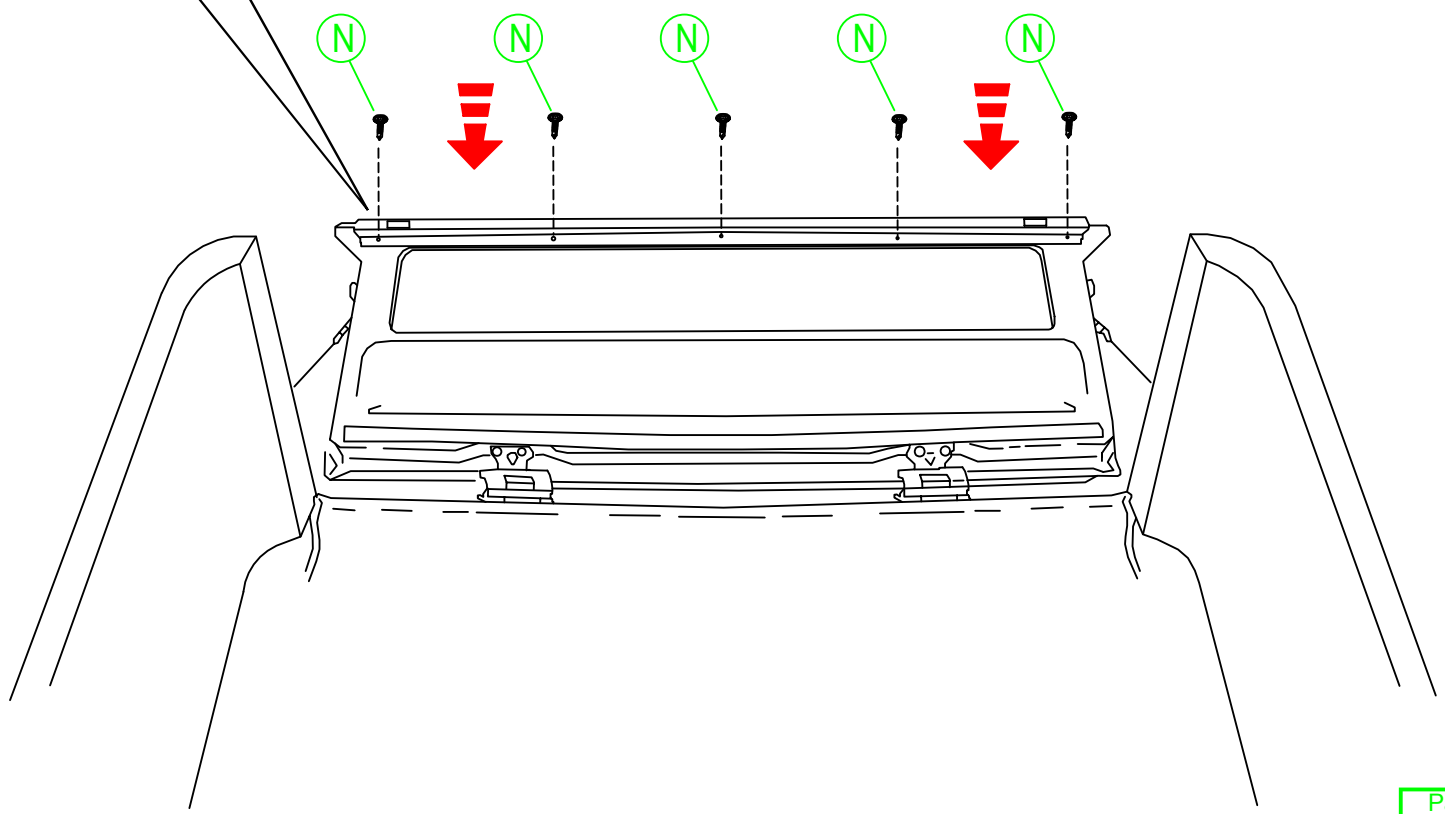
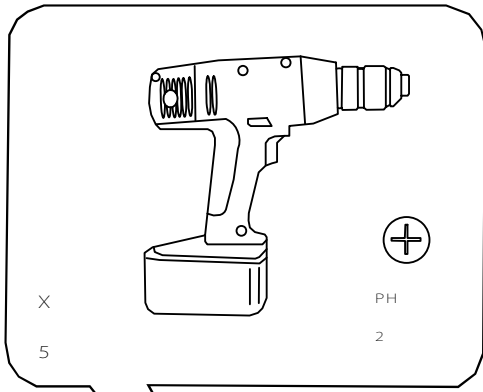
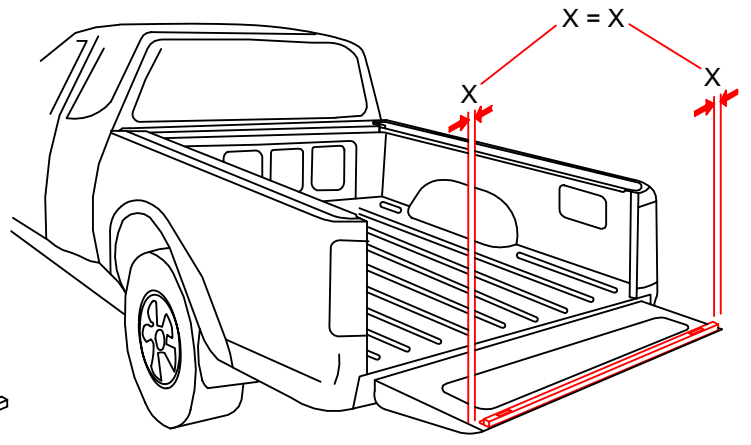
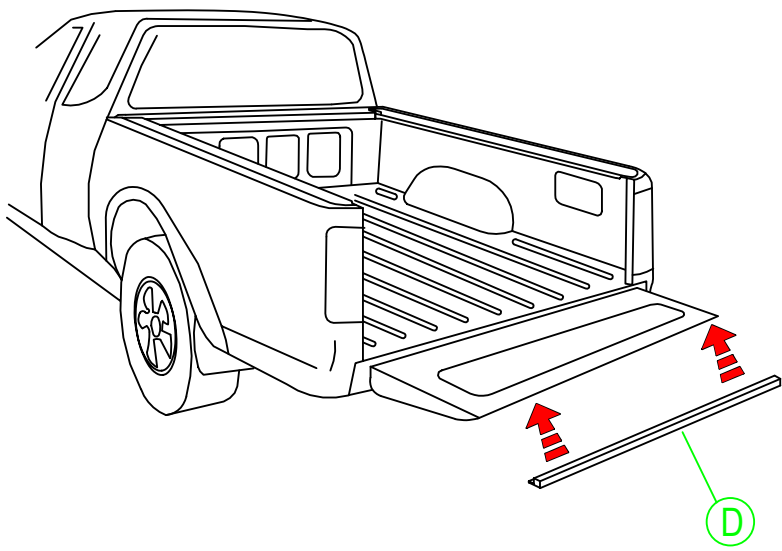


2

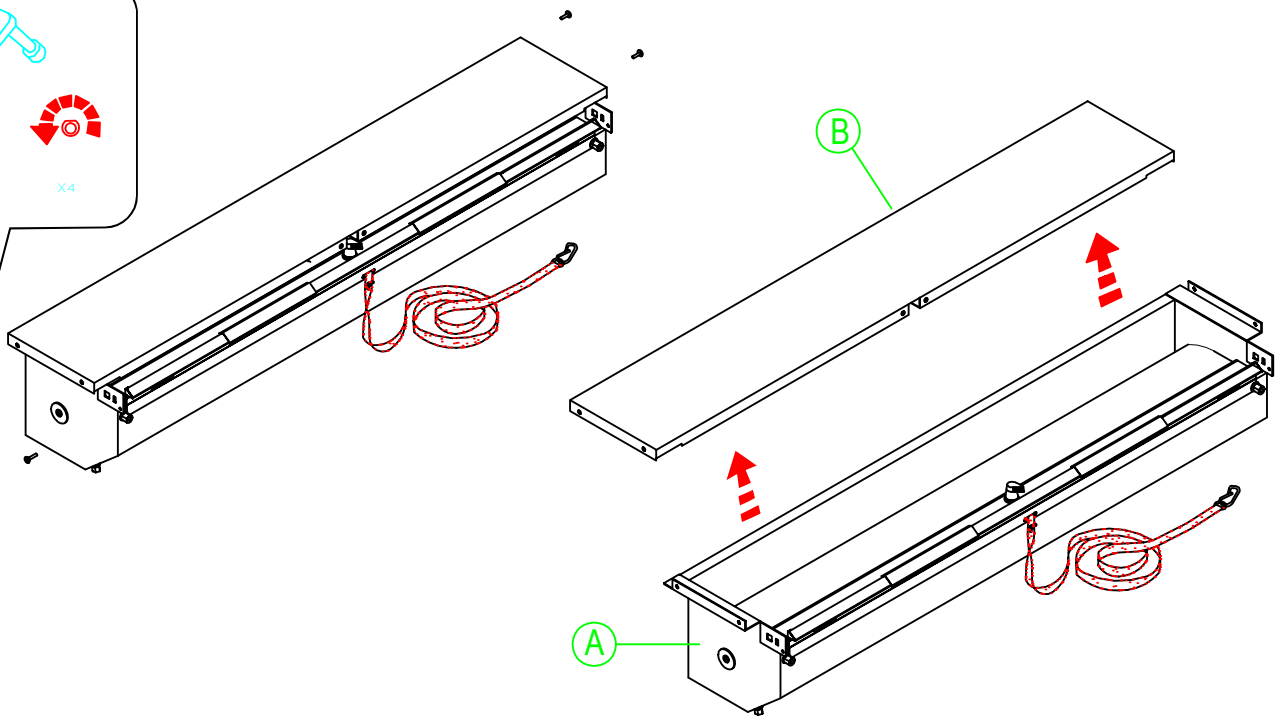
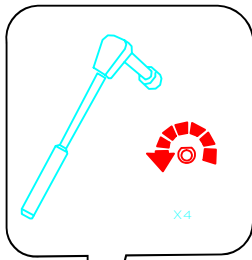


3



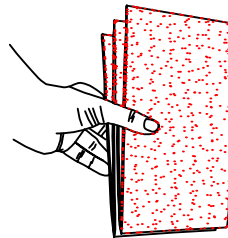


5

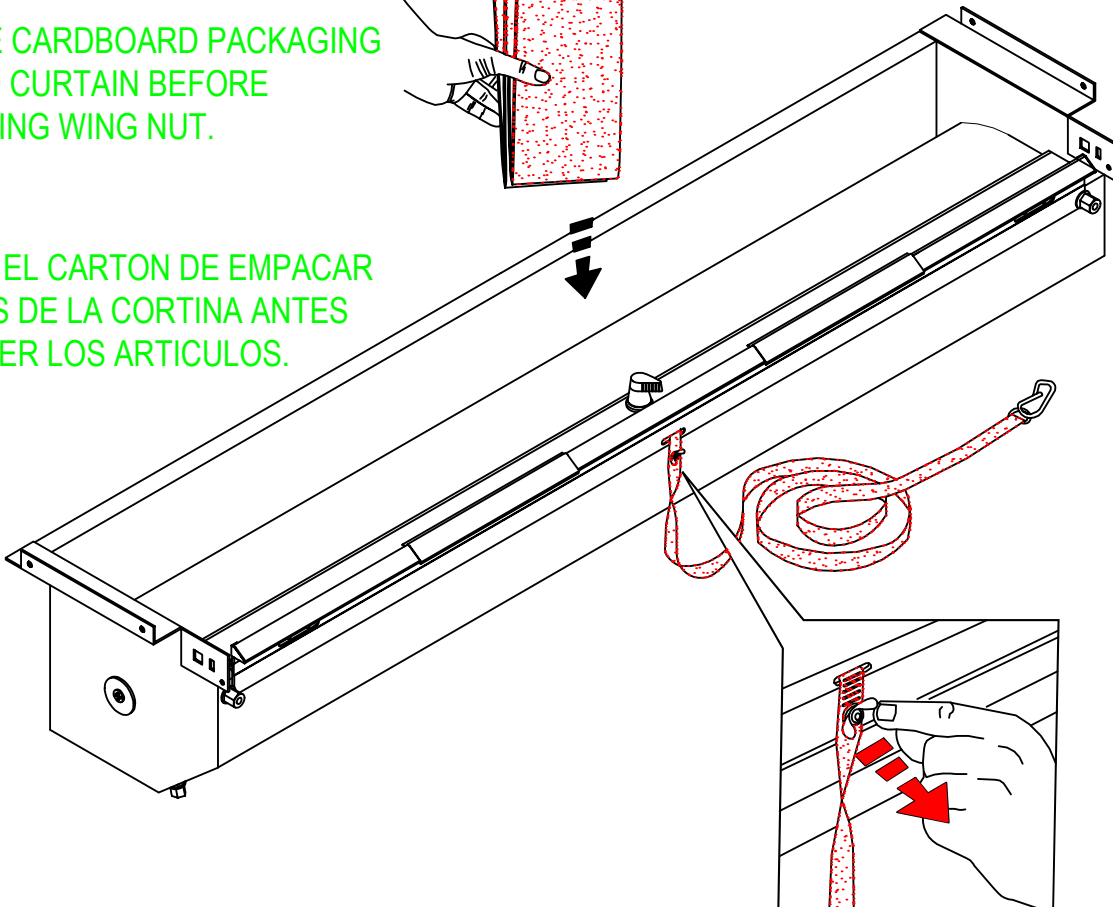


6

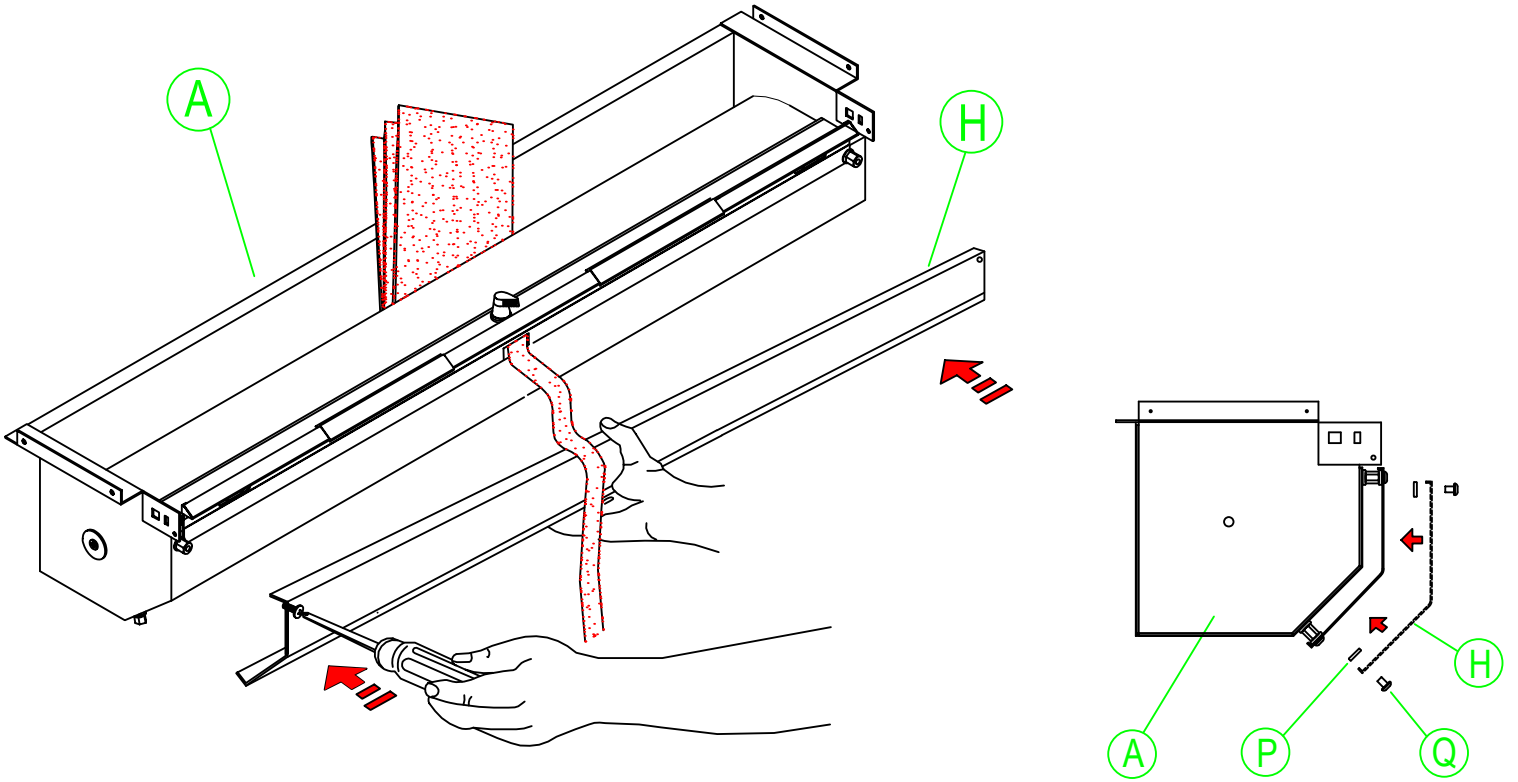
NOTE:
WEDGE CARDBOARD PACKAGING
BEHIND CURTAIN BEFORE
REMOVING WING NUT.



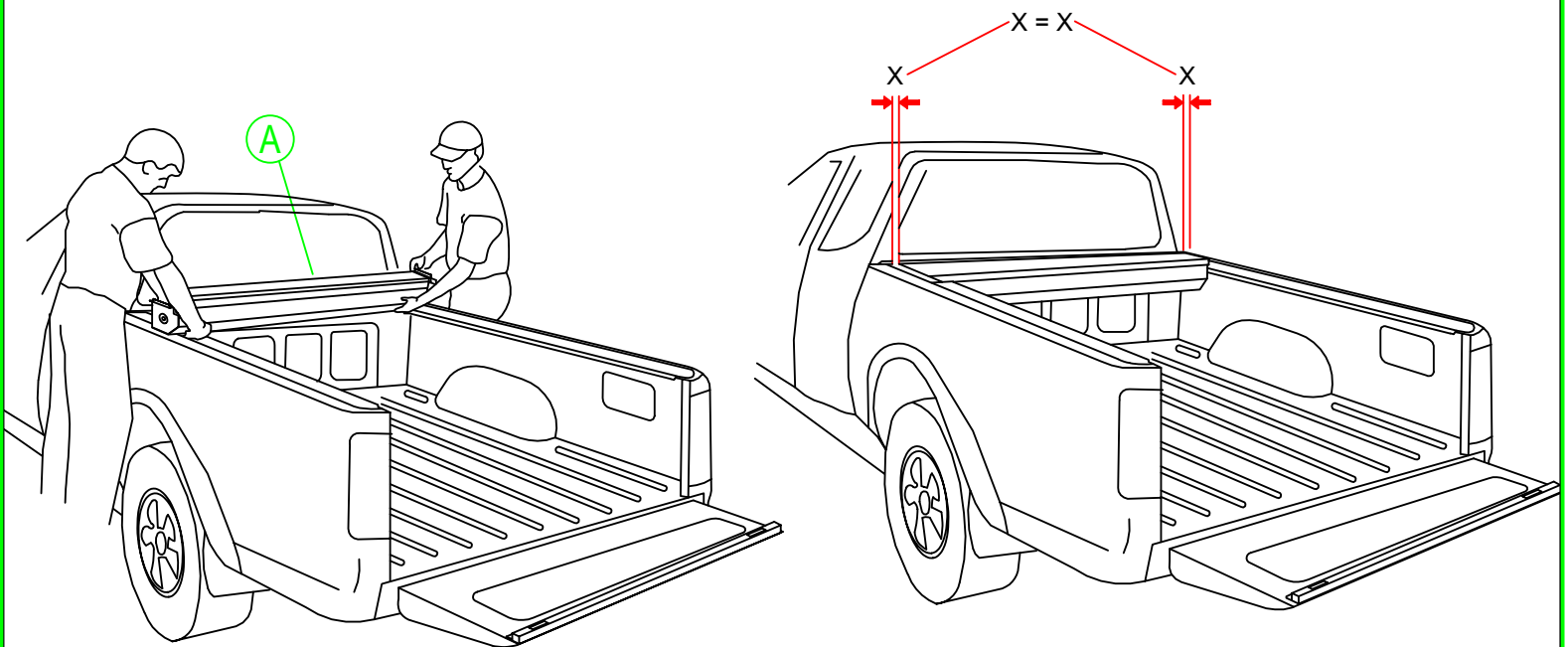
NOTA:
PONER EL CARTON DE EMPACAR
DETRAS DE LA CORTINA ANTES
REMOVER LOS ARTICULOS.



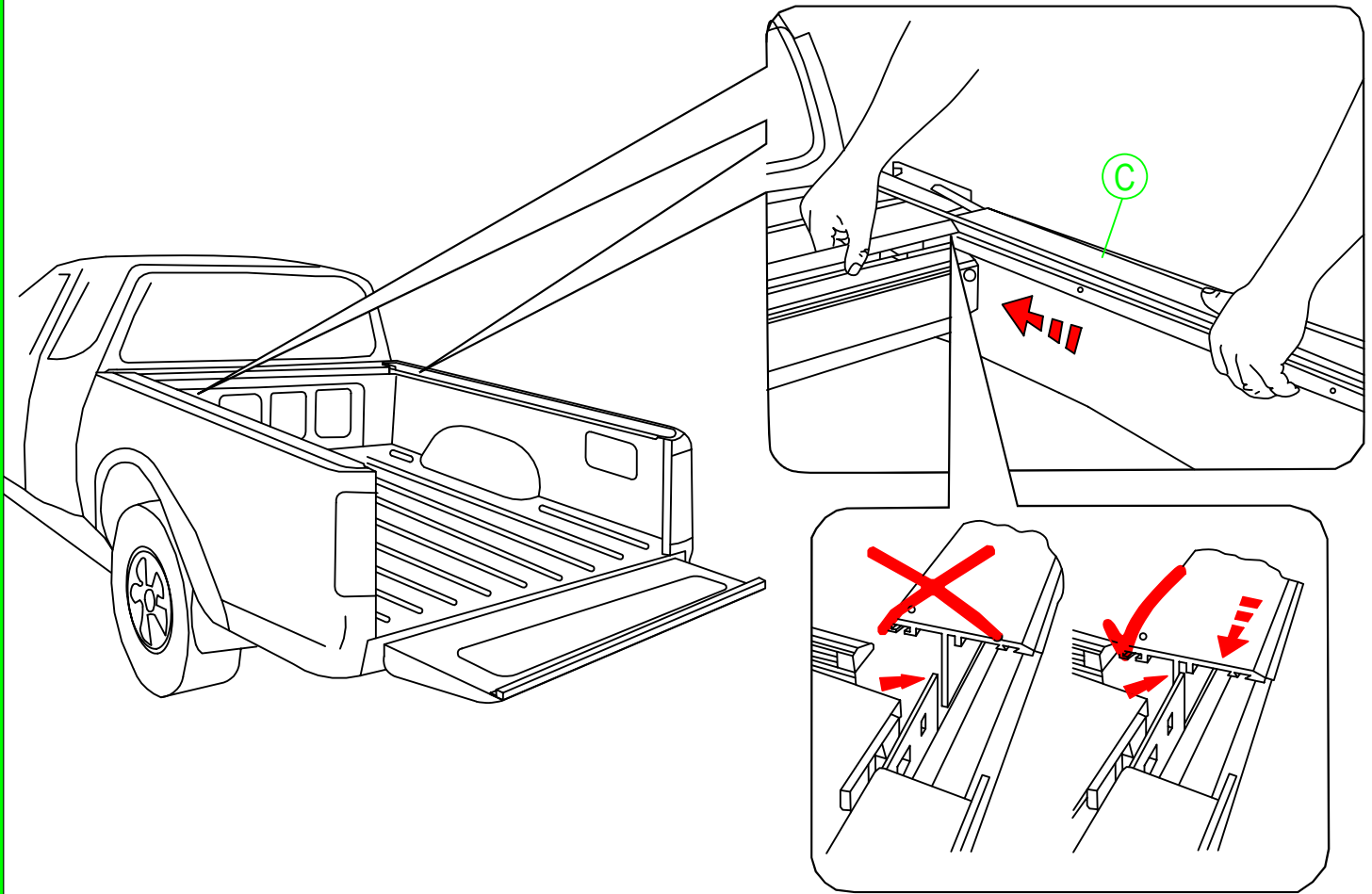
7



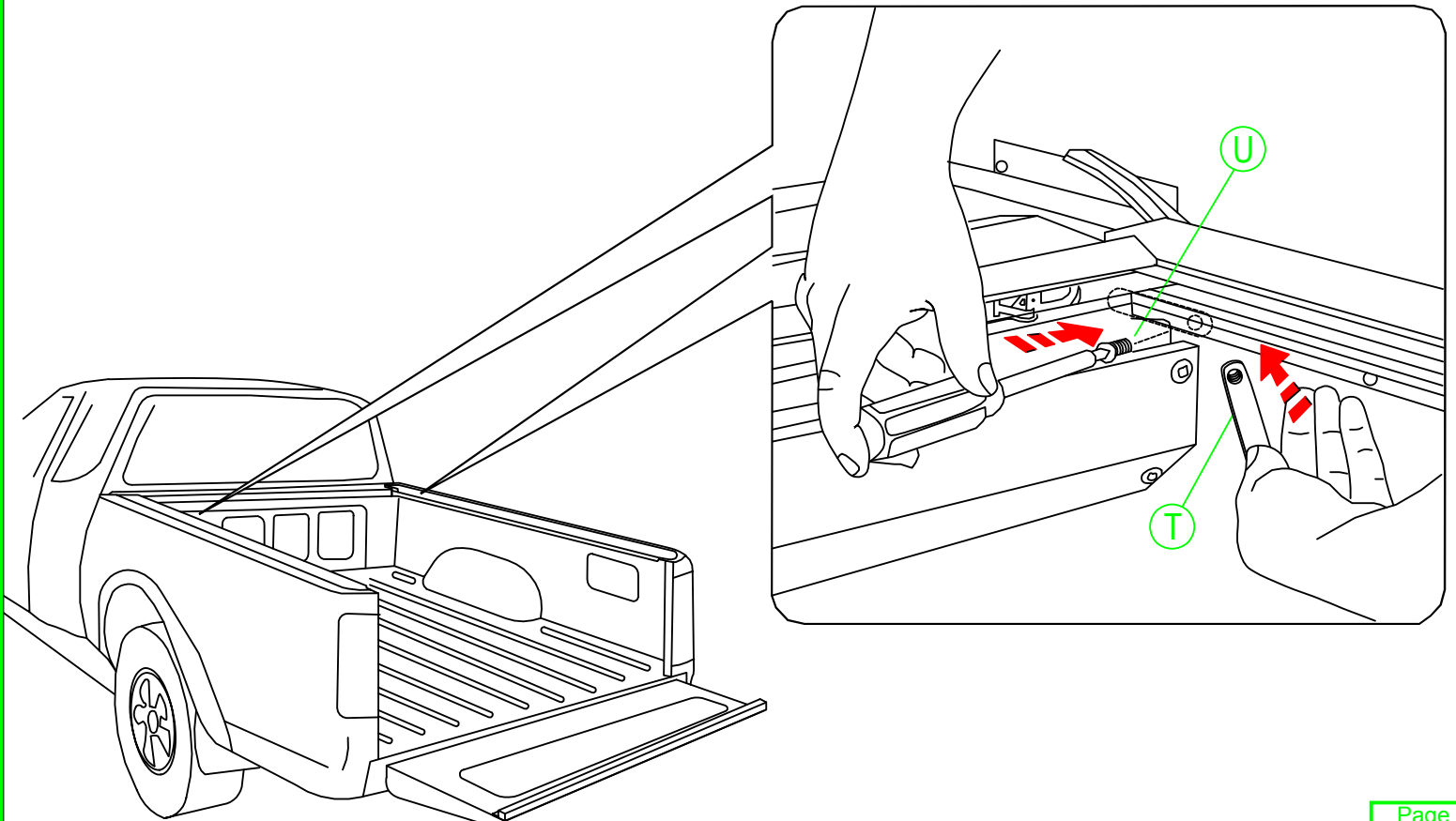
8



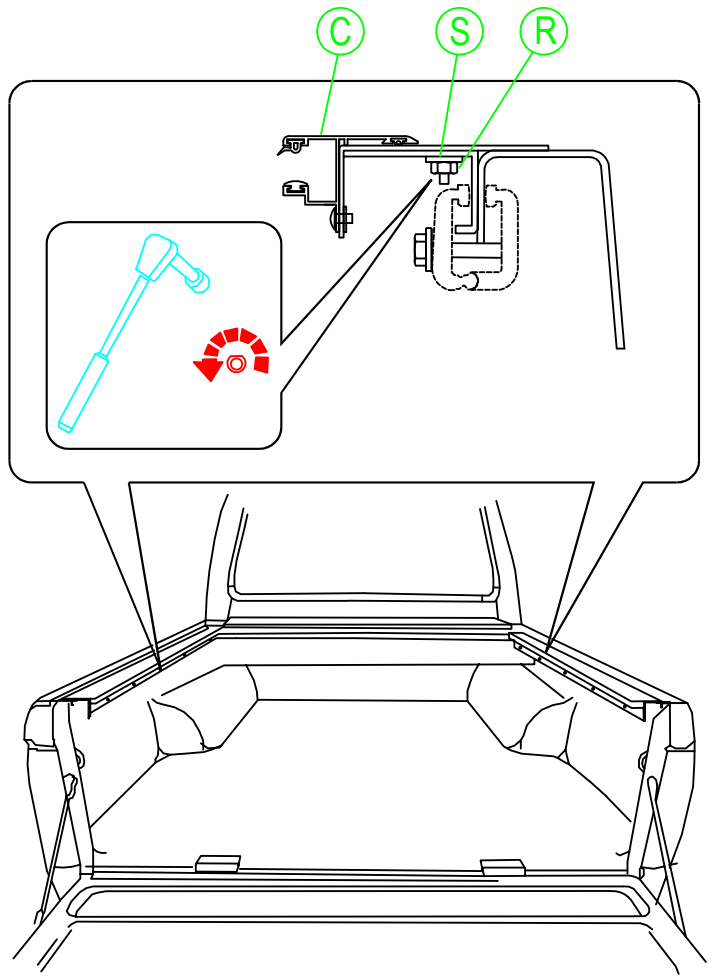
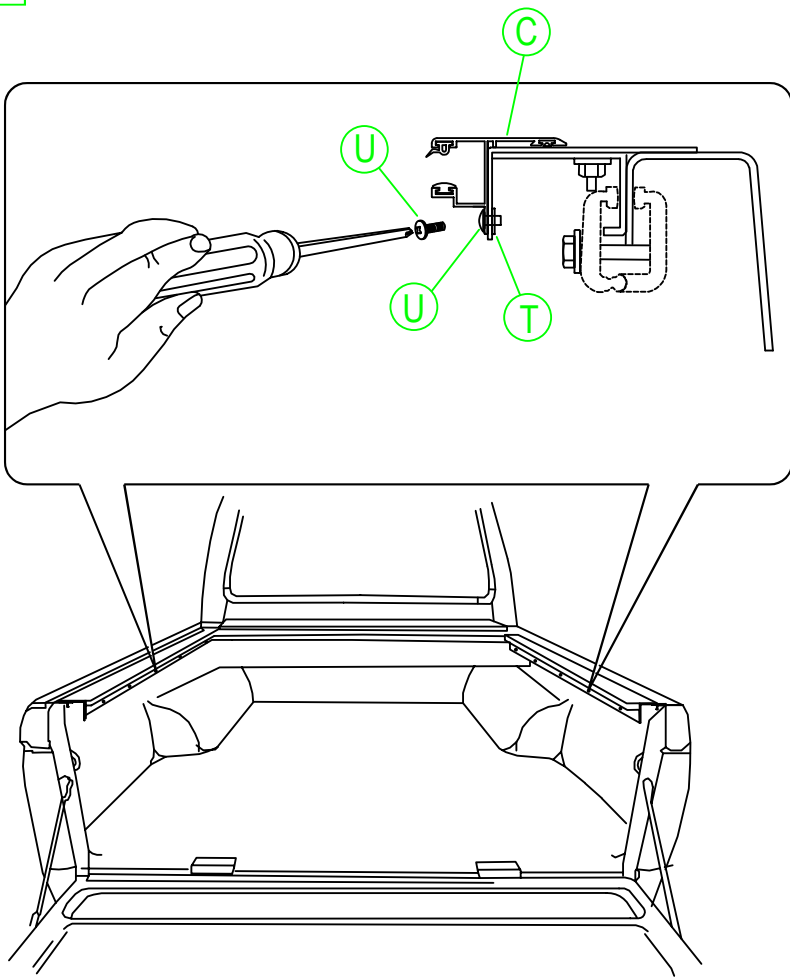
9



10



11



12

