



## INSTALLATION GUIDE

# 2007-CURRENT TOYOTA TUNDRA

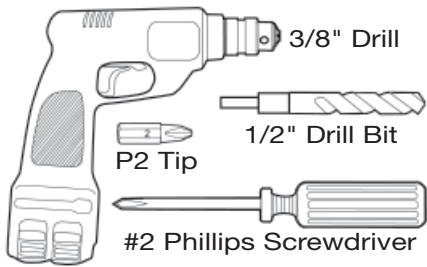


**PRODUCT CODES:  
570, 571 & 572**

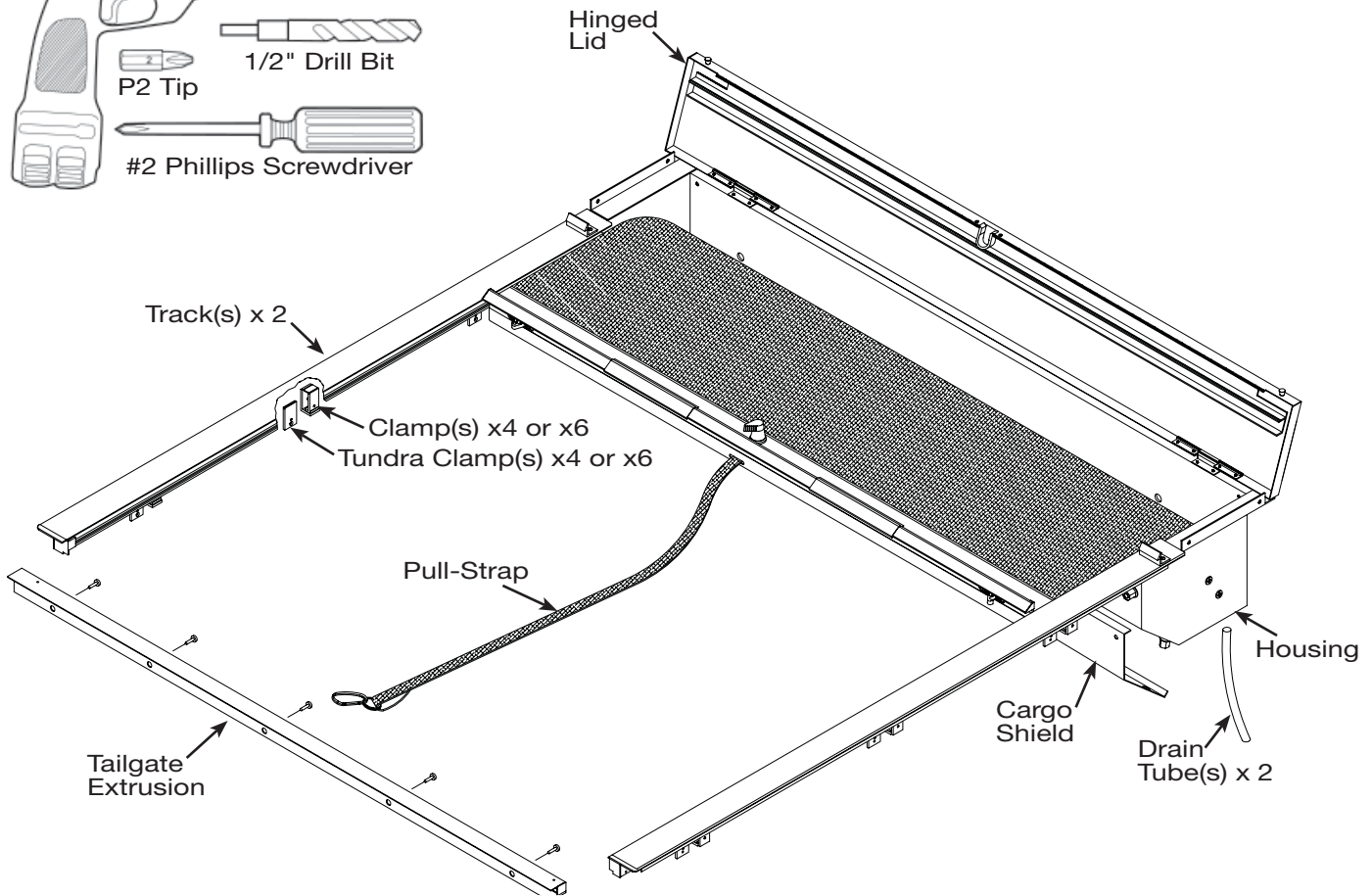


*Revised: August 4, 2009*

## TOOLS NEEDED



## COMPONENTS INCLUDED



# STOP!

If you have a bed with "Deck Rail System", be sure to follow **Step 1** on page 3.

If you **Do Not** have a bed with "Deck Rail System", proceed to page 10 and begin with **Step 1**.



# Installation with Deck Rail System

## Step 1: BEDLINER MODIFICATION

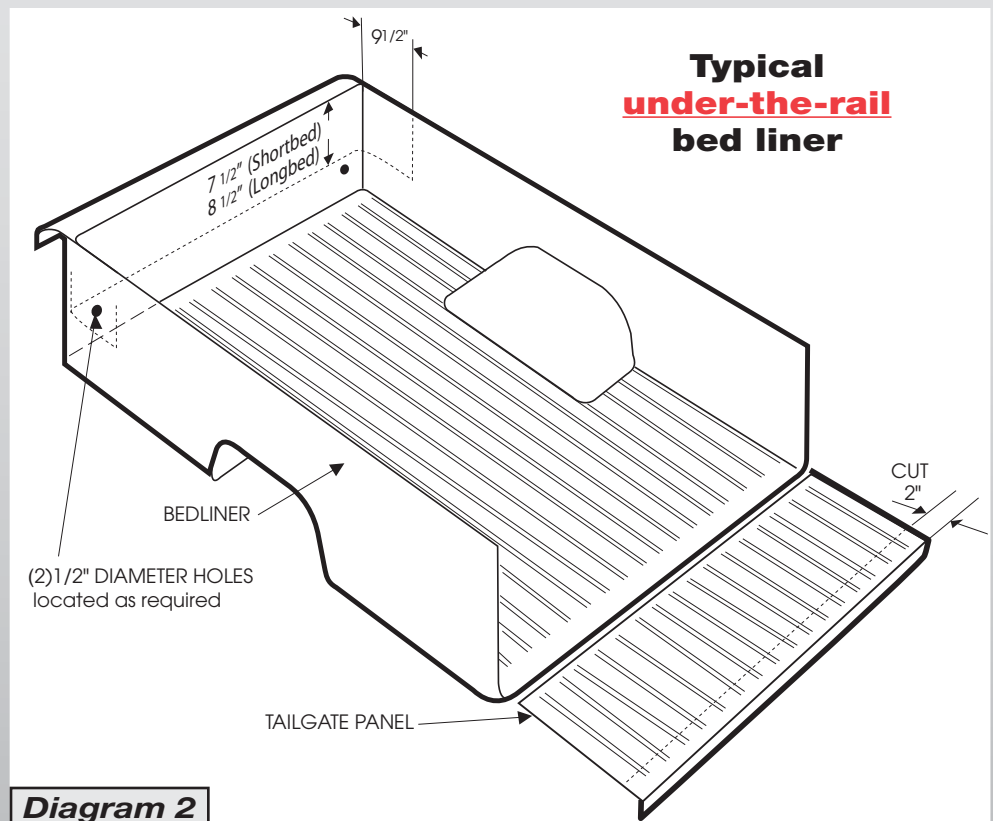
**Note: If the truck is equipped with a plastic drop-in bedliner, some alterations will be required. If no bedliner is present, proceed to Step 2.**

- A.** To remove the bedliner for alteration, you must first remove only the bulkhead deck rail (*Photo 1*).
- B.** *Diagram 2* shows the area which must be cut out in order to accommodate the Roll-N-Lock Housing at the front of the truck bed, as well as the modification required for the tailgate protective panel. It is advisable to use a white grease pencil to carefully layout the cutting path. Use a jigsaw with medium tooth blade to cut out the portion of the liner indicated.



**Photo 1**

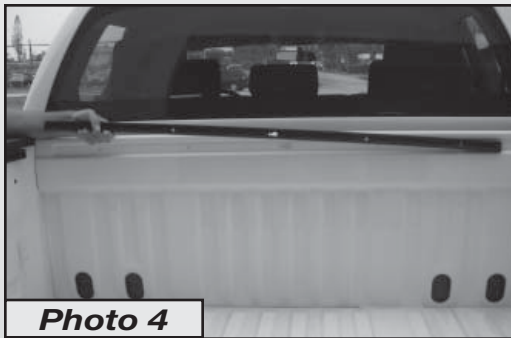
- C.** Place the liner back into the truck bed. The side panels of the liner will key under the deck rails (*Photo 3*). **Note: Do not replace the bulkhead deck rail.**



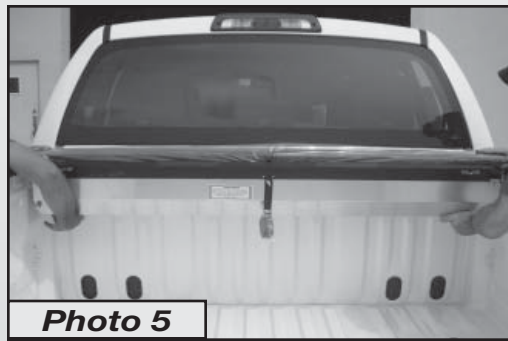
**Photo 3**

## STEP 2: INSTALL THE HOUSING

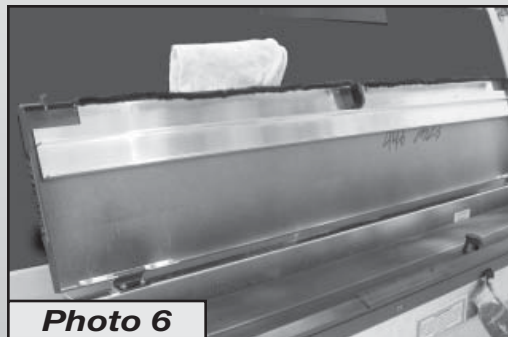
- A.** If not already done, remove the bulkhead deck rail (**Photo 4**).



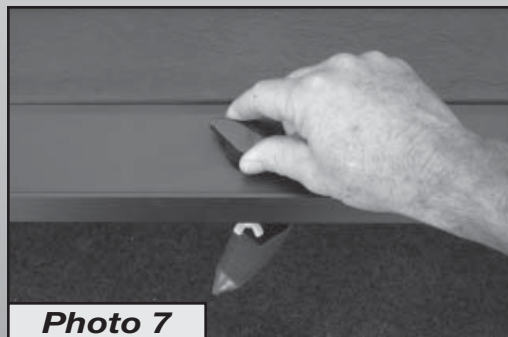
- B.** Place the Housing Assembly onto the bedrails (**Photo 5**). This is best accomplished with two people. Center it between the bedrails and leave about 1/2" of space between the bulkhead and the back of the Housing. **Do not fasten the Housing in place.**



- C.** Lift the Lid on the Housing and lean it against the cab (**Photo 6**). Place a rag between the Lid and cab to prevent scratches.



- D.** **Making sure to leave the Pull-Strap connected to the threaded shipping Stud**, rotate the Lock Lever to the 10 o'clock position (**Photo 7**).



## STEP 3: INSTALL THE TRACKS ON DECK RAIL EQUIPPED BEDS.

- A.** Remove the End Caps from the deck rails (**Photo 8**).
- B.** Insert threaded rectangular blocks (2 each side Crew Max bed; 3 each side short/long bed).

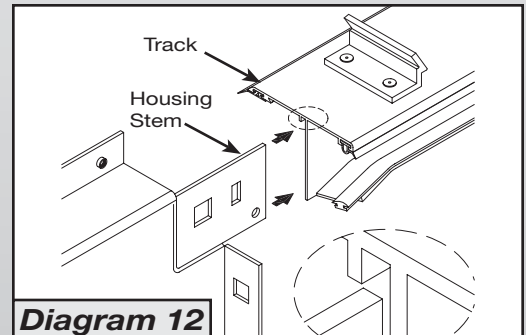
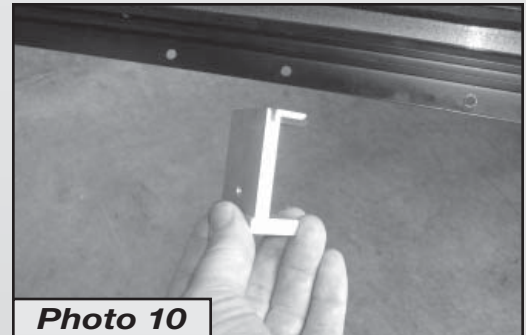


## STEP 3: INSTALL THE TRACKS ON DECK RAIL EQUIPPED BEDS (CONTINUED)

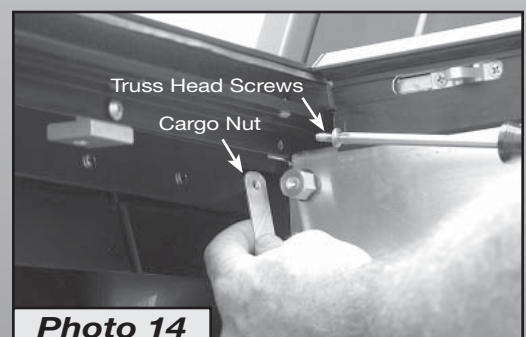
**Note:** The threaded hole is off-centered and the block must be inserted with the hole closest to the bottom (*Photo 9*).

**Note:** Tracks for 2007 Tundra truck beds are shipped with the clamp setups for both applications with and without "Deck Rail Systems". Before proceeding with an application with deck rails, you must first remove the Clamps shown (*Photo 10*).

- C.** Lower the tailgate and place the driver's side Track onto the bedrail (*Photo 11*), and key it onto Housing Stem (*Diagram 12*), being sure that the Handle is properly engaged into the Track.

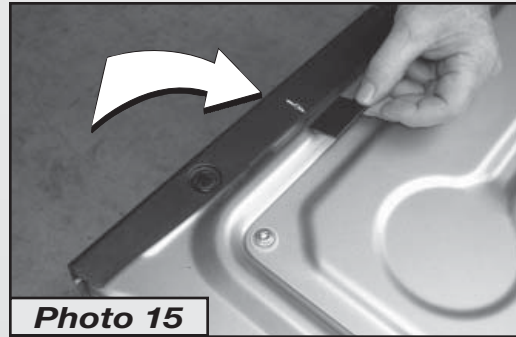


- D.** Using 1/4-20 x 1-1/4" countersunk screws, loosely secure the Tracks to the threaded blocks (*Photo 13*). **Do not tighten.**
- E.** Use a #10-24 x 1/2" truss head screw and Cargo Nuts to secure the Tracks to the Housing Stems (*Photo 14*). Tighten these connections securely.
- F.** With the driver's side Track in place, repeat sub-steps B-E for the passenger's side Track.



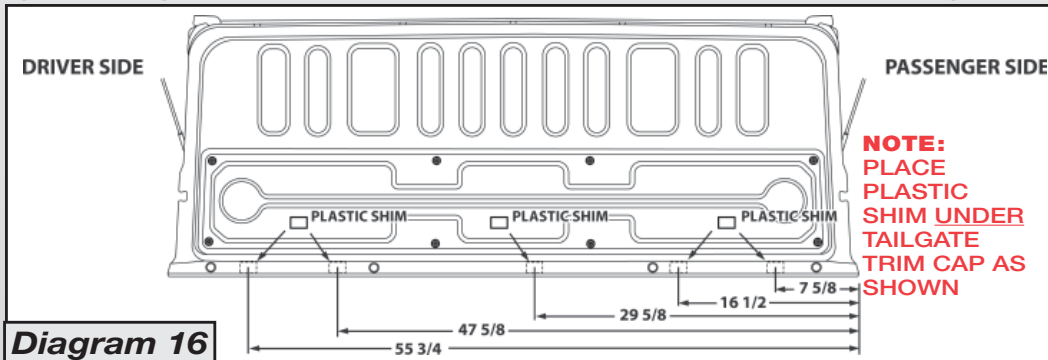
## STEP 4: INSTALL THE TAILGATE EXTRUSION

**A.** Lower the tailgate and insert five (5) plastic shims beneath the inside flange of the tailgate cap in the locations shown (*Photo 15; Diagram 16*).



**B.** Being careful not to strike the ends of the Tracks, close the tailgate and place the Tailgate Extrusion upon the edge of the tailgate, centering it between the Tracks (*Photo 17*).

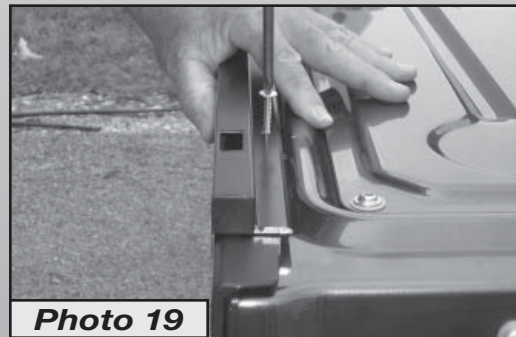
**C.** While holding the Tailgate Extrusion in place, use a #8 x 3/4" self tapping screw and power screw gun to secure the center hole. (*Photo 18*)



**D.** Lower the tailgate and hold the Tailgate Extrusion tight and square to the tailgate. Secure each end hole (*Photo 19*) making sure the screw

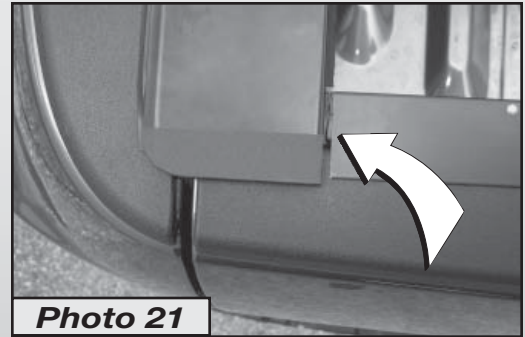
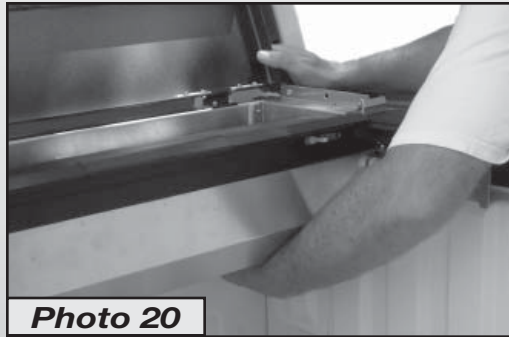


passes through the shim described in Step (A) above. Secure the two remaining holes.



## **STEP 5: ORIENTING THE TRACKS TO THE TAILGATE**

- A.** Move to the front of the bed, lift up slightly on the Housing and shift each side back

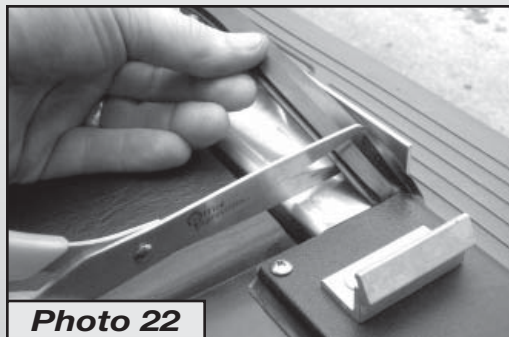


toward the tailgate (*Photo 20*) so that the Track End Caps contact the inside surface of the tailgate, and match-up with the Tailgate Extrusion End Caps (*Photo 21*). **Note: If the Tracks are not positioned as shown, the Latch Mechanism will not function correctly.**

- B.** With the Tracks in the correct position, you may now tighten the Track Clamps to the threaded blocks. Begin with the back clamps and be sure the Tracks remain level when tightening. **Note: Do not use a power or pneumatic screw gun.**

## **STEP 6: INSTALL THE CARGO SHIELD AND DRAIN TUBES**

- A.** Trim the track gasket 1" from the end of the Track (*Photo 22*).

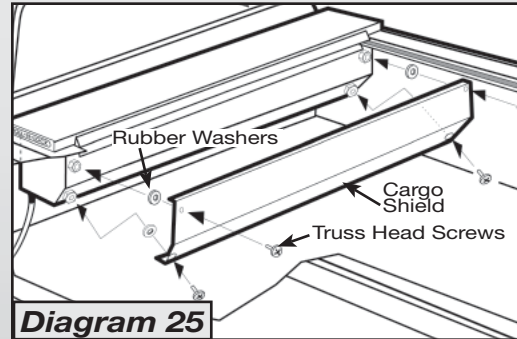


- B.** Rotate the Lock Lever to the 7 o'clock (closed) position (*Photo 23*), then remove the plastic wing nut and detach the Pull-Strap from the threaded Stud (*Photo 24*). Pull the Cover closed and latch it to the tailgate. **Note: Do not allow the Cover to retract without the Lid in place.**



## **STEP 6: INSTALL THE CARGO SHIELD AND DRAIN TUBES (CONTINUED)**

- C.** Before lowering the Housing Lid, turn the Lid Pin Knobs  $\frac{1}{4}$  turn clockwise, which will cause the pins to pop in if they are not already. Lower the Housing Lid, being sure that the Lid Pins snap into the receptors located on the Tracks.
- D.** To open the Cover pull back slightly on the Handle to relieve spring tension from the Latch Mechanisms and turn the Lock Lever clockwise to the 10 o'clock (unlatched) position.
- E.** Use 1/4-20 x 1/2" truss head screws and rubber washers to secure the Cargo Shield (**Diagram 25**). **Note: The rubber washers go on the inside of the Cargo Shield.**
- F.** Use 1/2" bit to drill holes for the drain tubes. Note that this process is easier if 1/4" pilot hole is drilled first. The drain holes should be positioned in the center of the outermost bed plugs (**Photo 26**).



- G.** **Always make sure the Pull-Strap is securely clipped to a fixed point in the bed.**

## **STEP 7: TEST UNIT OPERATION**

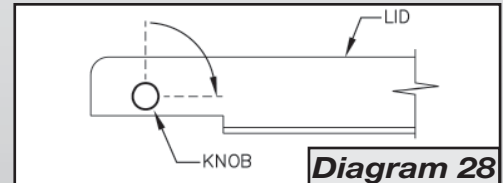
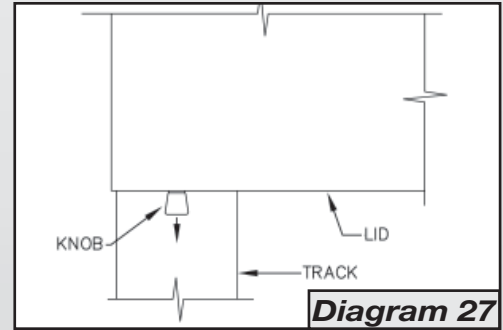
In Step 6 the Cover was opened (*retracted*). This should have caused the Lock Lever to enter the Lock Pocket and rotate to the 7 o'clock (*latched*) position.

- A.** **To close the Cover**, pull the Pull-Strap hand-over hand, allowing the excess strap to fall into the bed until you can reach the Handle. Place your hands evenly spread on the Handle and pull the Handle until it contacts the Tailgate Extrusion. As the Handle contacts the Tailgate Extrusion the spring loaded Latches (*which were energized when the Cover was retracted*) will automatically trip, simultaneously latching the Cover to the tailgate and side Tracks.
- B.** **To open the Cover**, pull back slightly on the Handle to relieve spring tension from the Latch Mechanisms and turn the Lock Lever clockwise to the 10 o'clock position. The Cover should retract on its own with only a slight push to set it into motion. When the Cover is retracting it is best to hold the Pull-Strap and allow it to slip through your fingers as the Cover travels. Applying pressure to the Pull-Strap as it slips through your fingers will act as a braking action, preventing the Handle from slamming into the Lid at high speed. The Cover must retract with only enough force to rotate and reset the Lock Lever and Latching Mechanism.

## **STEP 8: INSTRUCTIONS FOR OPENING AND CLOSING THE HINGED LID**

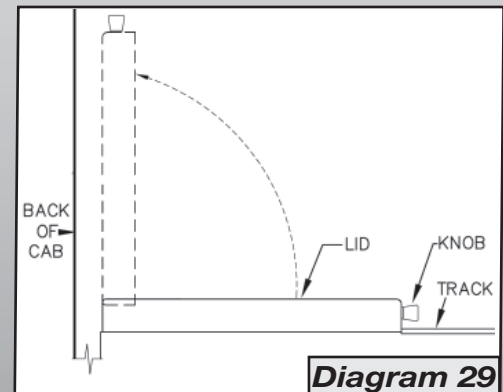
### **To Open:**

- A.** Grasp the Latch Pin Knobs located at the back corners of the Lid (*Diagram 27*) and pull out.
- B.** Turn knobs 90° to hold Latch in the unlocked position (*Diagram 28*).
- C.** Grasp the Lid and lift (*Diagram 29*). Rest the Lid against the back of the cab to hold open for service or cleaning.



### **To Close:**

- A.** Reverse the previous steps. Lower the Lid and return the Latch Pins to the locked position by turning the knobs ¼ turn.  
**Note: The Latch Pins may be returned to the locked position before or after closing the Lid.**

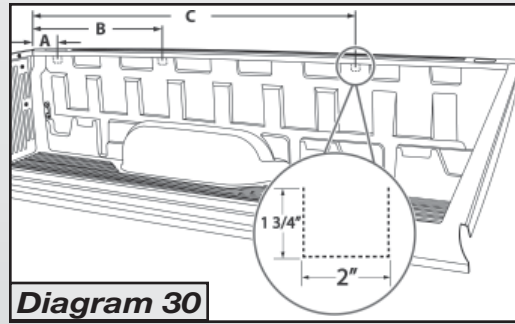


# Installation without Deck Rail System

## Step 1: BEDLINER MODIFICATION

**Note:** If the truck is equipped with a plastic drop-in bedliner, some alterations will be required. If no bedliner is present, proceed to Step 2.

**A.** Before removing the liner, measure from the inside face of the tailgate, draw 2" x 1-3/4" notch marks along the top edge of the liner on both driver and passenger side of the truck (**Diagram 30**). A white grease pencil is the best tool for this purpose.

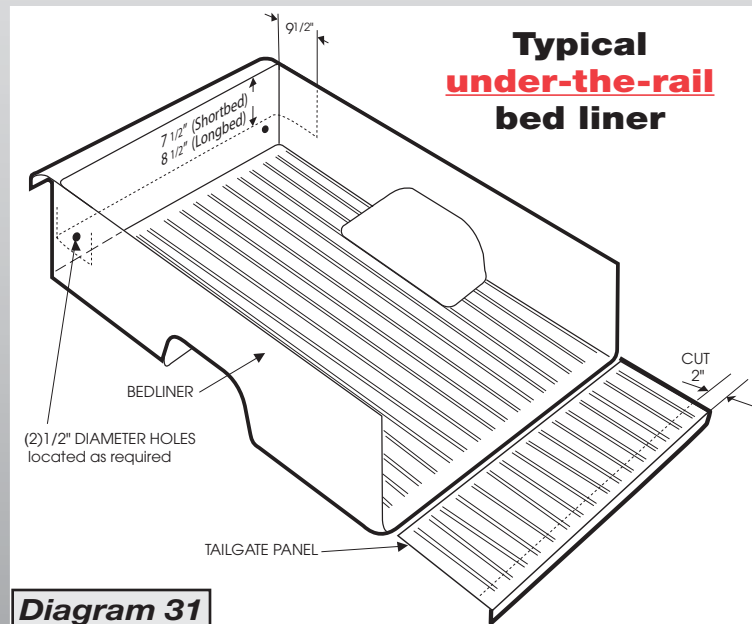


**Diagram 30**

Code	A	B	C
570	8 1/16"	46 3/4"	
571	8 1/16"	33 3/4"	59 7/16"
572	8 1/16"	46 3/4"	71 3/4"

**B.** Remove the liner from the truck and layout and mark the area at the front of the liner which must be cut out to allow for the **Roll-N-Lock Housing (Diagram 31)**. Use a sharp utility knife to cut out the notches and a jigsaw with medium tooth blade to cut out the area at the front. You must also mark and trim the tailgate protective panel as shown.

**C.** Place the liner back into the truck bed.



**Diagram 31**

## STEP 2: INSTALL THE HOUSING

**A.** Place the Housing Assembly onto the bedrails (**Photo 32**). This is best accomplished with two people. Center it between the bedrails and leave about 1/2" of space between the bulkhead and the back of the Housing. **Do not fasten the Housing in place.**

**B.** Lift the Lid on the Housing and lean it against the cab (**Photo 33**). Place a rag between the Lid and cab to prevent scratches.



**Photo 32**

## STEP 2: INSTALL THE HOUSING (CONTINUED)

- C.** Making sure to leave the Pull-Strap connected to the threaded shipping Stud, rotate the Lock Lever to the 10 o'clock position (Photo 34).

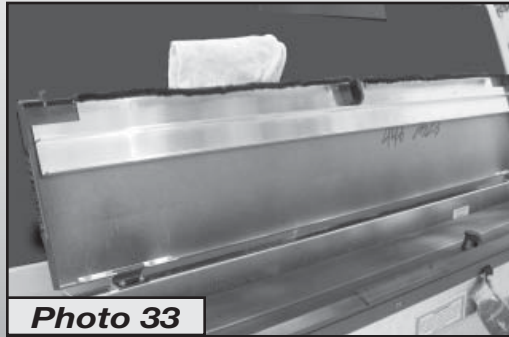


Photo 33

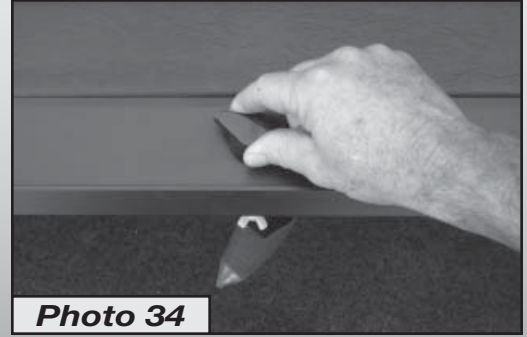


Photo 34

## STEP 3: INSTALL THE TRACKS

- A.** Use 6mm screws provided in the hardware package to secure the L-brackets to the threaded holes at the top of the bed walls (Photo 35). Tighten in place with the screw at the center of the oblong slot.

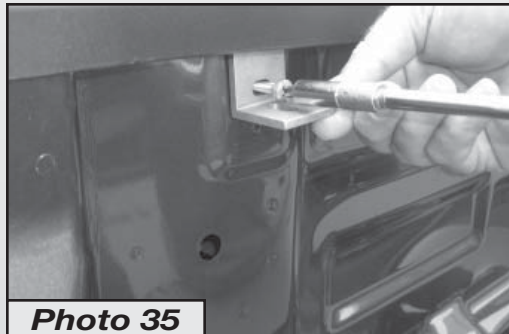


Photo 35

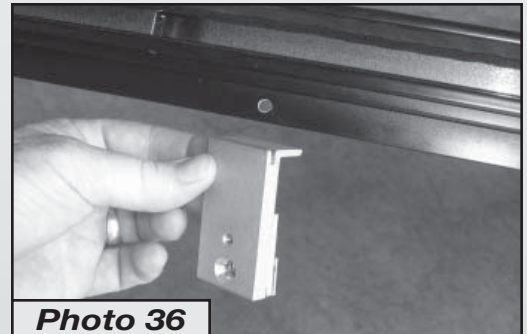


Photo 36

**Note:** Tracks for 2007 Tundra truck beds are shipped with clamp setups for both applications with and without "Deck Rail Systems". Before proceeding with an application without deck rails, you must first remove the Clamps shown (Photo 36).



Photo 37

- B.** Lower the tailgate and place the driver's side Track onto the bedrail (Photo 37), and key it onto Housing Stem (Diagram 38), being sure that the Handle is properly engaged into the Track.

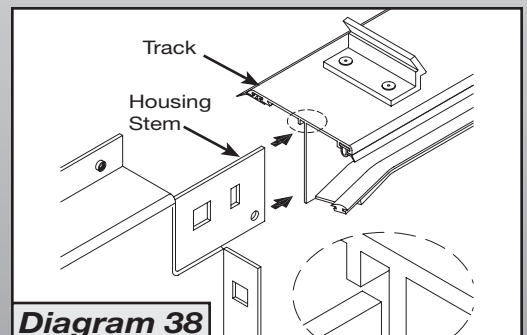
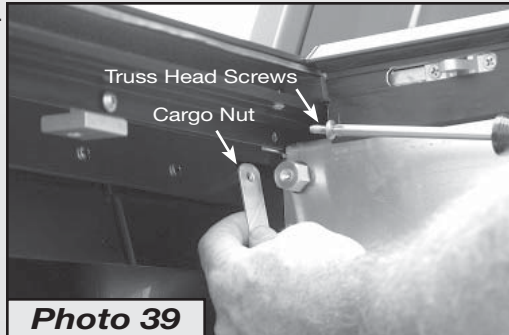


Diagram 38

## STEP 3: INSTALL THE TRACKS (CONTINUED)

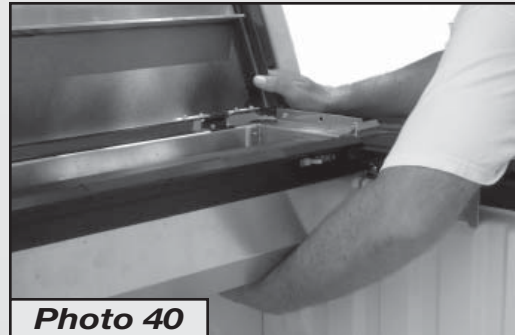
- C.** Use a #10-24 x 1/2" truss head screw and Cargo Nuts to secure the Track to the Housing Stem



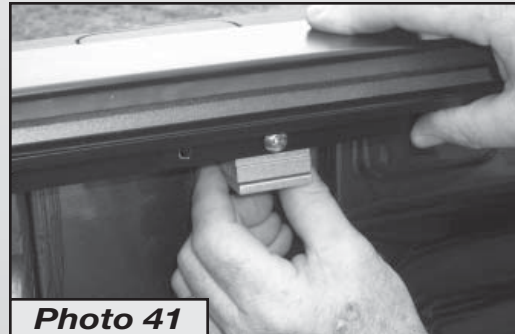
**(Photo 39).** Tighten these connections securely.

- D.** With the driver's side Track in place, repeat sub-steps B and C for the passenger's side Track.

- E.** With the Tracks secured to the Housing, close the tailgate, being especially careful not to strike the ends of the Tracks. Now move to the front of the bed, lift up slightly on the Housing and shift each side back **(Photo 40)**, until the Track End Caps contact the inside surface of the tailgate.



- F.** The Track Clamps should now be perfectly aligned with the L-brackets **(Photo 41)**. If the Track Clamps do not align with the L-brackets, lift the Tracks just enough to access the L-bracket screws, and reset the L-brackets to align with the Track Clamps **(Photo 42)**. **Note: The Tracks can only go in one place (caps against tailgate), so the L-brackets must be moved to match the Track Clamps, not vice-versa.**



- G.** Use 5/16-18 x 1" socket head bolts and lock washers to secure the Track Clamps to the L-brackets **(Photo 43)**. **Do not tighten yet.**



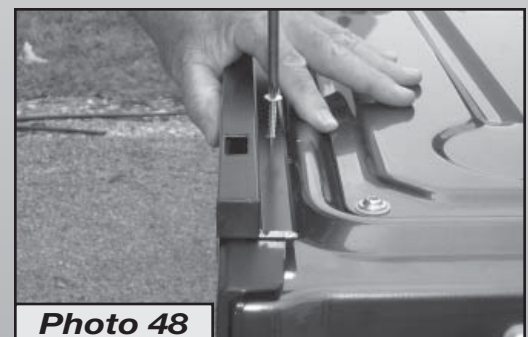
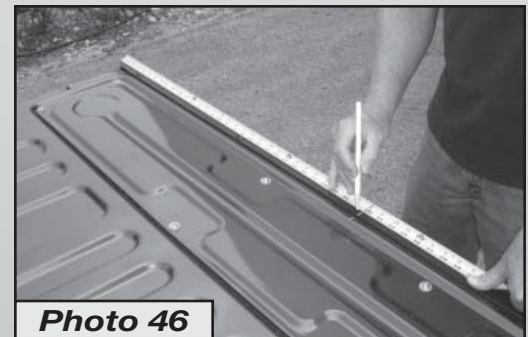
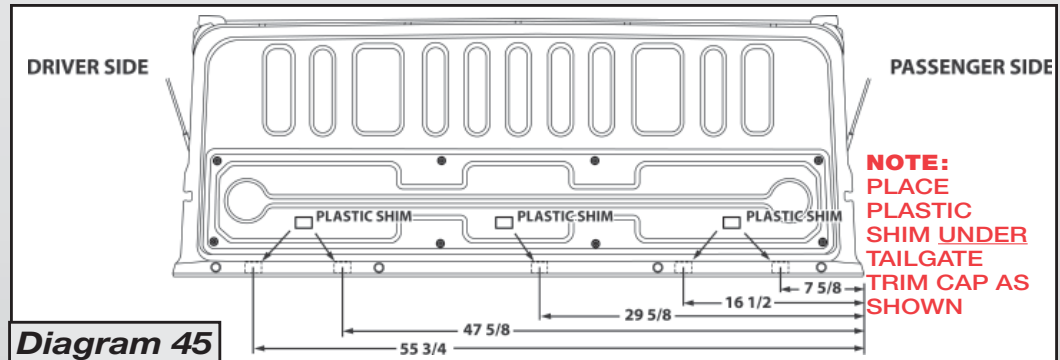
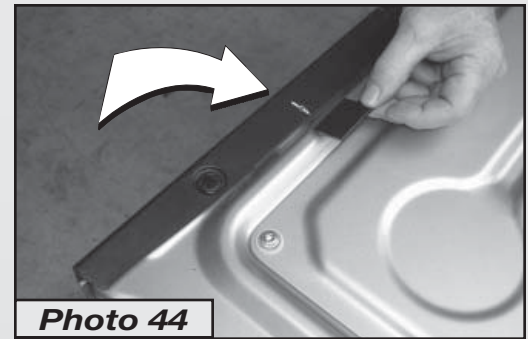
## STEP 4: INSTALL THE TAILGATE EXTRUSION

**A.** Lower the tailgate and insert five (5) plastic shims beneath the inside flange of the tailgate cap in the locations shown (**Photo 44**; **Diagram 45**).

**B.** Measure, locate and mark the center of the tailgate and Tailgate Extrusion (**Photo 46**).

**C.** Center the Tailgate Extrusion on the tailgate by aligning your marks. Being sure to hold the Tailgate Extrusion square to the tailgate, use a #8 x 3/4" self-tapping screw and power screw gun to secure the hole nearest the center, making sure the screw passes through the shim described in Step 4 (A) above (**Photo 47**).

**D.** Secure each end hole, again being sure to hold the Tailgate Extrusion tight and square to the tailgate (**Photo 48**), and then secure the two remaining holes.



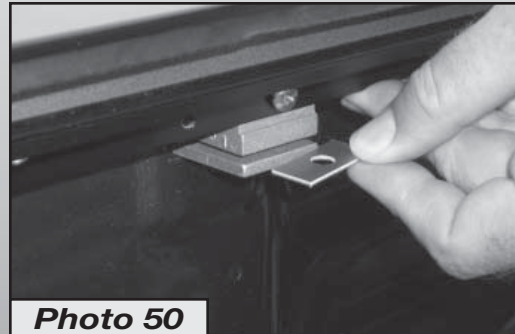
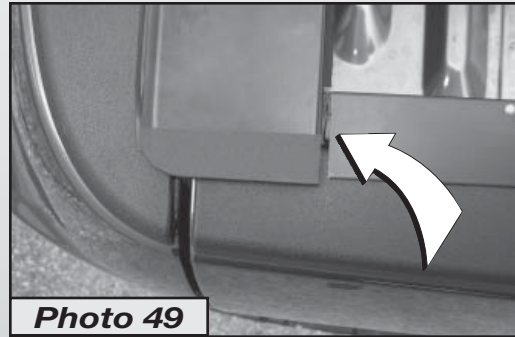
## STEP 5: ORIENTING THE TRACKS TO THE TAILGATE

**A.** With the Tracks already moved back so the plastic End Caps contact the face of the tailgate, now shift the Tracks inward so that the Tracks contact and match up with the Tailgate Extrusion End Caps (**Photo 49**).

**Note: If the Tracks are not positioned as shown, the Latch Mechanism will not function correctly.**

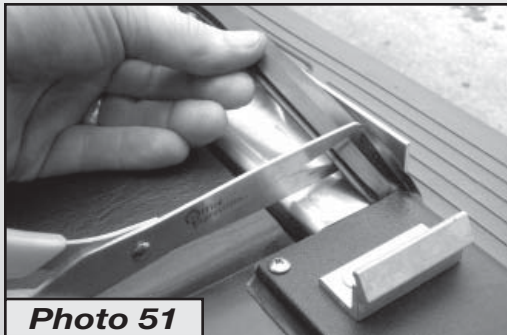
**B.** With the Tracks in the correct position, you may now tighten the Track Clamps to the L-brackets, beginning with the back clamps. However, if there is a space between the L-bracket and Track Clamp, a shim or shims will be required to prevent the Tracks from pitching downward when tightened (**Photo 50**). For proper function and water resistance, the Tracks must be set squarely to the bed.

**Note: Do not use a power or pneumatic screw gun to tighten the Clamps.**

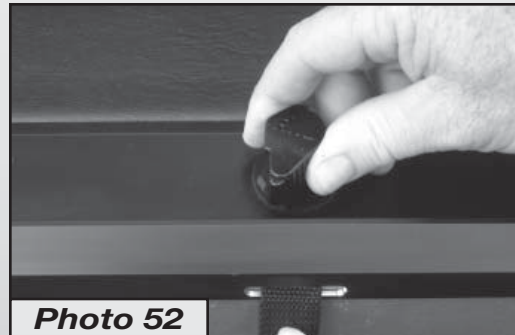


## STEP 6: INSTALL CARGO SHIELD & DRAIN TUBES

**A.** Trim the track gasket 1" from the end of the Track (**Photo 51**).



**B.** Rotate the Lock Lever to the 7 o'clock (closed) position (**Photo 52**), then remove the plastic wing nut and detach the Pull-Strap from the threaded Stud (**Photo 53**). Pull the Cover closed and latch it to the tailgate. **Note: Do not allow the Cover to retract without the Lid in place.**



## **STEP 6: INSTALL THE CARGO SHIELD AND DRAIN TUBES (CONTINUED)**

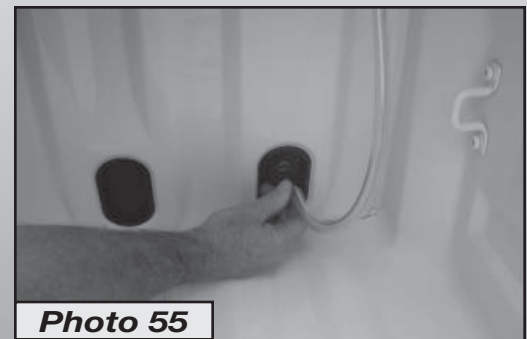
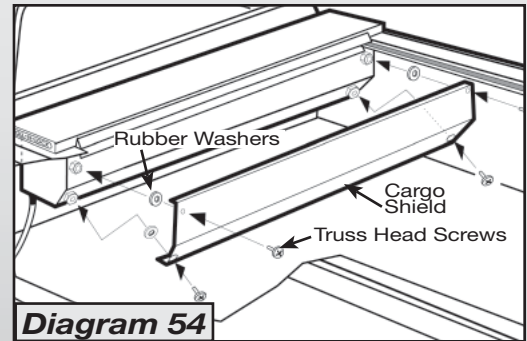
**C.** Before lowering the Housing Lid, turn the Lid Pin Knobs  $\frac{1}{4}$  turn clockwise, which will cause the pins to pop in if they are not already. Lower the Housing Lid, being sure that the Lid Pins snap into the receptors located on the Tracks.

**D.** To open the Cover, pull back slightly on the Handle to relieve spring tension from the Latch Mechanisms and turn the Lock Lever clockwise to the 10 o'clock (*unlatched*) position.

**E.** Use 1/4-20 x 1/2" truss head screws and rubber washers to secure the Cargo Shield (*Diagram 54*). **Note: The rubber washers go on the inside of the Cargo Shield.**

**F.** Use a 1/2" bit to drill holes for the drain tubes. Note that this process is easier if a 1/4" pilot hole is drilled first. The drain tubes should be positioned in the center of the outer most bed plug (*Photo 55*).

**G.** **Always make sure the Pull-Strap is securely clipped to a fixed point in the bed.**



## **STEP 7: TESTING OPERATION**

In Step 6, the Cover was opened (*retracted*). This would have caused the Lock Lever to enter the lock pocket and rotate to the 7 o'clock (*latched*) position.

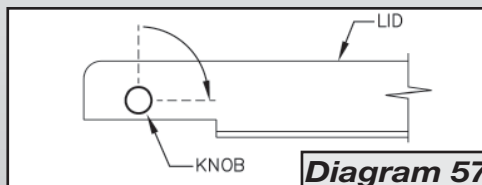
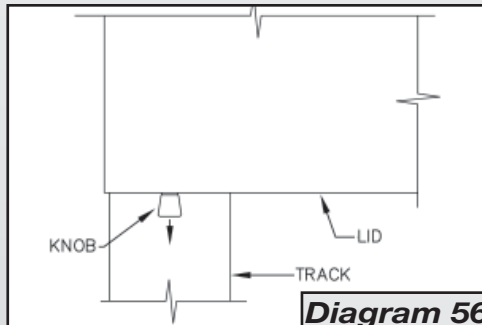
**A.** **To close the Cover**, pull the Pull-Strap hand-over-hand, allowing the excess strap to fall into the bed until you can reach the Handle. Place your hands evenly spread on the Handle and pull the Handle until it contacts the Tailgate Extrusion. As the Handle contacts the Tailgate Extrusion the spring loaded Latches (*which were energized when the Cover was retracted*) will automatically trip, simultaneously latching the Cover to the tailgate and side Tracks.

**B.** **To open the Cover**, pull back slightly on the Handle to relieve spring tension from the Latch Mechanisms and turn the Lock Lever clockwise to the 10 o'clock position. The Cover should retract on its own with only a slight push to set it into motion. When the Cover is retracting it is best to hold the Pull-Strap and allow it to slip through your fingers as the Cover travels. Applying pressure to the Pull-Strap as it slips through your fingers will act as a braking action, preventing the Handle from slamming into the Lid at high speed. The Cover must retract with only enough force to rotate and reset the Lock Lever and Latching Mechanism.

## **STEP 8: INSTRUCTIONS FOR OPENING AND CLOSING THE HINGED LID**

### **To Open:**

- A.** Grasp the Latch Pin Knobs located at the back corners of the Lid (*Diagram 56*) and pull out.
- B.** Turn knobs 90° to hold Latch in the unlocked position (*Diagram 57*).
- C.** Grasp the Lid and lift (*Diagram 58*). Rest the Lid against the back of the cab to hold open for service or cleaning.



### **To Close:**

- A.** Reverse the previous steps. Lower the Lid and return the Latch Pins to the locked position by turning the knobs ¼ turn.  
**Note: The Latch Pins may be returned to the locked position before or after closing the Lid.**

